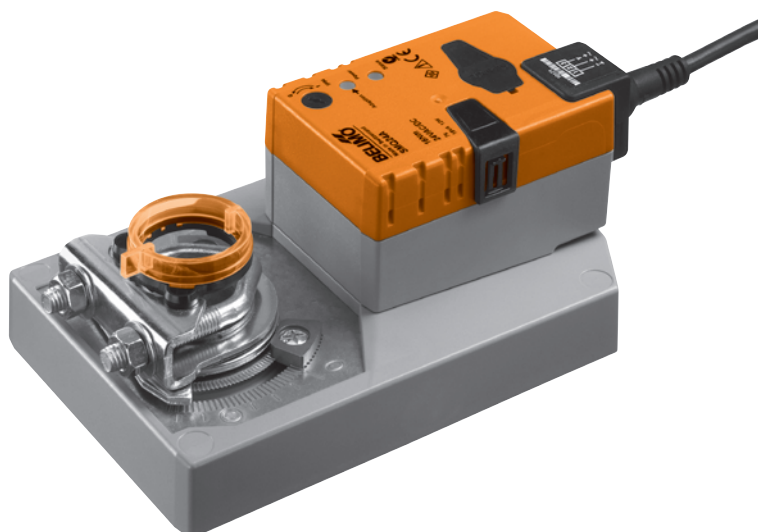




Damper actuator for operating air control dampers in ventilation and air-conditioning systems for building services installations

- For air dampers up to approx. 3.2 m<sup>2</sup>
- Torque 16 Nm
- Nominal voltage AC/DC 24 V
- Control: Open-close  
(not made for 3-point applications)
- Running time 7 s



## Technical data

<b>Electrical data</b>	Nominal voltage	AC 24 V, 50/60 Hz / DC 24 V
	Nominal voltage range	AC 19.2 ... 28.8 V / DC 21.6 ... 28.8 V
	Power consumption	In operation 12 W @ nominal torque At rest 1.5 W For wire sizing 18 VA (I max. 20 A @ 5 ms)
	Connection	Cable 1 m, 3 x 0.75 mm <sup>2</sup>
<b>Functional data</b>	Torque (nominal torque)	Min. 16 Nm @ nominal voltage
	Direction of rotation	Reversible with switch 0 ↺ resp. 1 ↻
	Manual override	Gearing latch disengaged with pushbutton, can be locked
	Angle of rotation	Max. 95° ↺, can be limited at both ends with adjustable mechanical end stops
	Angle of rotation limiting	min. 30° ↺
	Running time	7 s / 90° ↺
	Automatic adjustment of operating range to match the mechanical angle of rotation	Manual triggering of the adaption by pressing the «Adaption» button
	Sound power level	52 dB (A)
	Position indication	Mechanical, pluggable
	Negative torque	 ≤50% from nominal torque (Caution: can only be used with restrictions. Please contact your Belimo representative.)
<b>Safety</b>	Protection class	III Safety extra-low voltage / UL Class 2 Supply
	Degree of protection	IP54 in any mounting position NEMA 2, UL Enclosure Type 2
	EMC	CE according to 2004/108/EC
	Certification	cULus according to UL 60730-1A and UL 60730-2-14 and CAN/CSA E60730-1:02 Certified to IEC/EN 60730-1 and IEC/EN 60730-2-14
<b>Dimensions / Weight</b>	Mode of operation	Type 1 (EN 60730-1)
	Rated impulse voltage	0.8 kV (EN 60730-1)
	Control pollution degree	3 (EN 60730-1)
	Ambient temperature	-30 ... +40 °C (no restrictions)  +40 ... +50 °C (Caution: can only be used with restrictions. Please contact your Belimo representative.)
	Non-operating temperature	-40 ... +80 °C
	Ambient humidity	95% r.H., non-condensating (EN 60730-1)
	Maintenance	Maintenance-free
	Dimensions	See «Dimensions» on page 3
	Weight	Approx. 1.7 kg

Safety notes



- The actuator is not allowed to be used outside the specified field of application, especially in aircraft or in any other airborne means of transport.
- It may only be installed by suitably trained personnel. Any legal regulations or regulations issued by authorities must be observed during assembly.
- The device may only be opened at the manufacturer's site. It does not contain any parts that can be replaced or repaired by the user.
- The cable must not be removed from the device.
- Self adaptation is necessary when the system is commissioned and after each adjustment of the angle (press the adaptation push-button)
- When calculating the required torque, the specifications supplied by the damper manufacturers (cross section, design, installation site), and the air flow conditions must be observed.
- The device contains electrical and electronic components and is not allowed to be disposed of as household refuse. All locally valid regulations and requirements must be observed.

Product features

- Simple direct mounting** Simple direct mounting on the damper spindle with a universal spindle clamp, supplied with an anti-rotation strap to prevent the actuator from rotating.
- Manual override** Manual override with push-button possible (the gear is disengaged for as long as the button is pressed or remains locked).
- Adjustable angle of rotation** Adjustable angle of rotation with mechanical end stops. A minimum permissible angle of rotation of 30° must be allowed for.
- High functional reliability** The actuator is overload-proof, requires no limit switches and automatically stops when the end stop is reached.
- Home position** When the supply voltage is switched on for the first time, i.e. at commissioning or after pressing the «gear disengagement» switch, the actuator moves to the home position.

Pos.	Direction of rotation	Home position
0	Y = 0	ccw  Left stop
1	Y = 0	cw Right stop

The actuator then moves into the position defined by the control signal.

Accessories

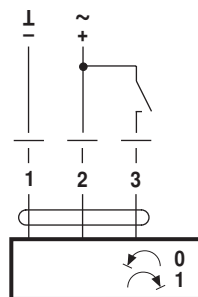
	Description	Data sheet
<b>Electrical accessories</b>	Auxiliary switch S..A..	T2 - S..A..
	Feedback potentiometer P..A..	T2 - P..A..
<b>Mechanical accessories</b>	Various accessories (clamps, shaft extensions etc.)	T2 - Z-GM..A..

Electrical installation

Wiring diagram

**Note**

- Connect via safety isolation transformer.
- Parallel connection of other actuators possible. Note performance data for supply.



Direction of rotation



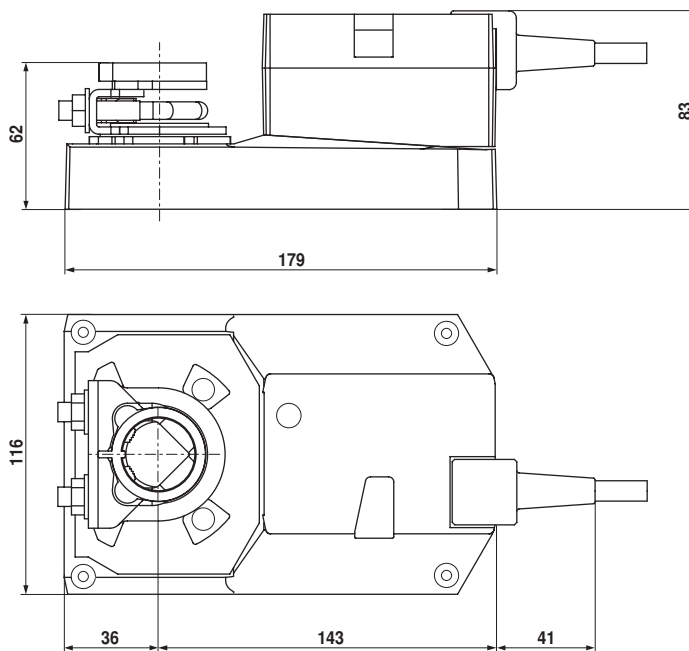
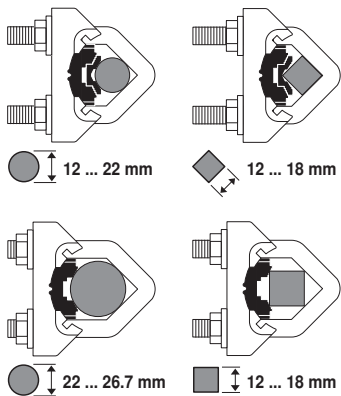
Cable colours:

- 1 = black
- 2 = red
- 3 = white

Dimensions [mm]

Dimensional drawings

Damper spindle	Length			
	≥52	12 ... 26,7	≥12	≤25,5
	≥20	12 ... 26,7	≥12	≤25,5



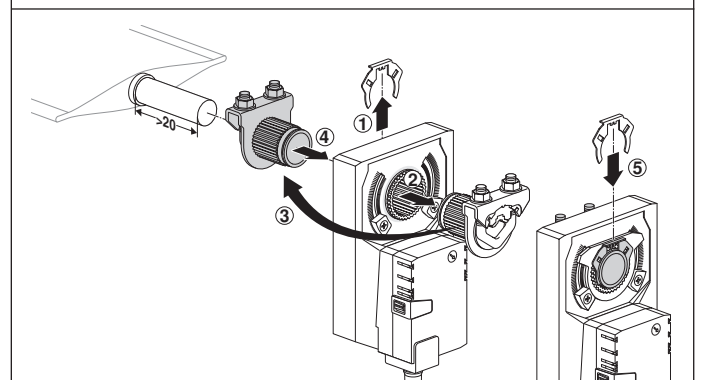
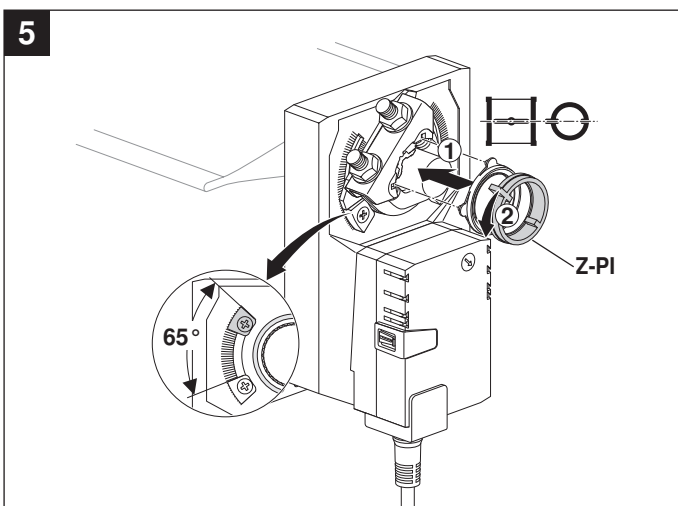
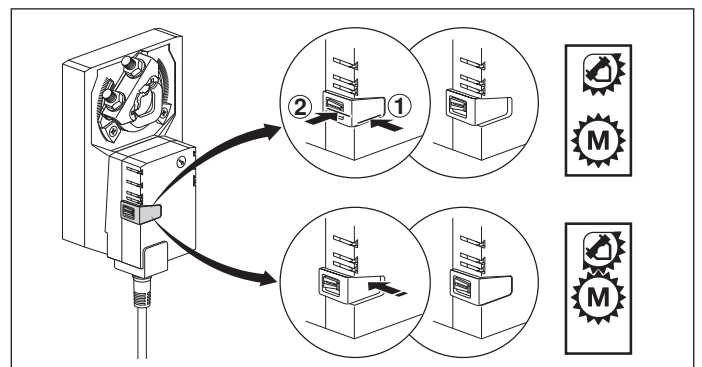
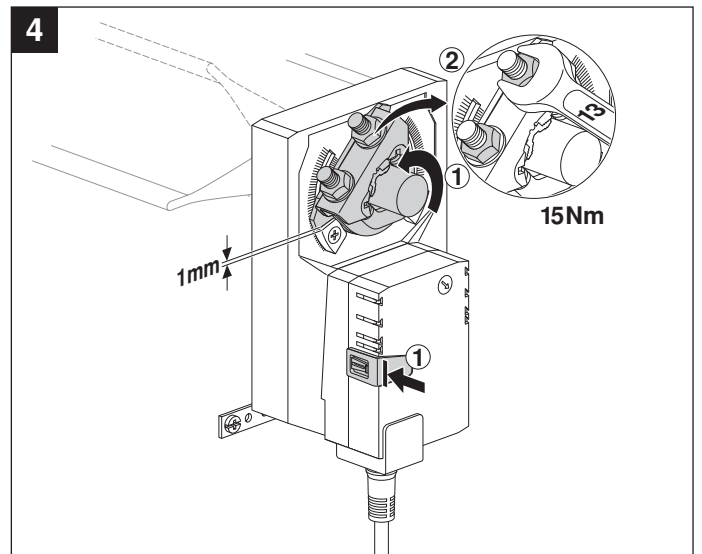
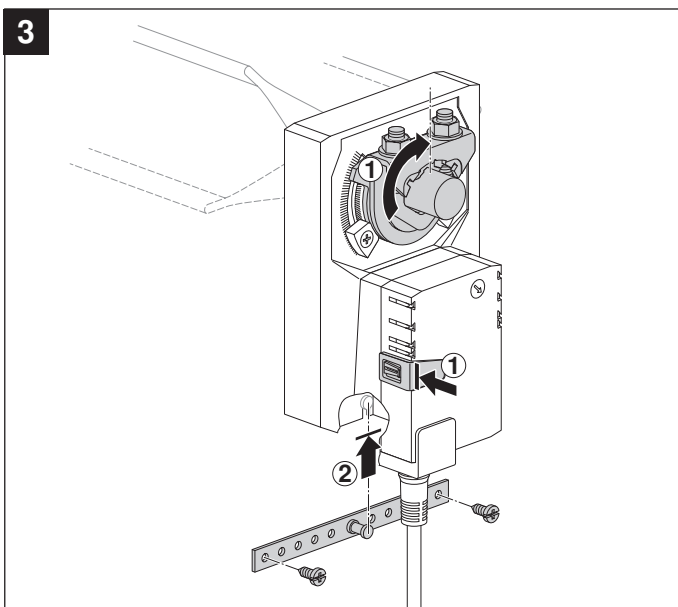
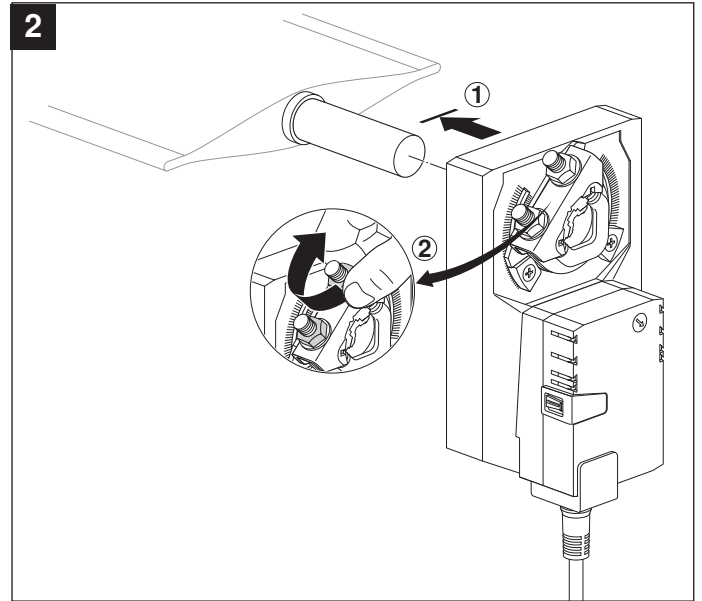
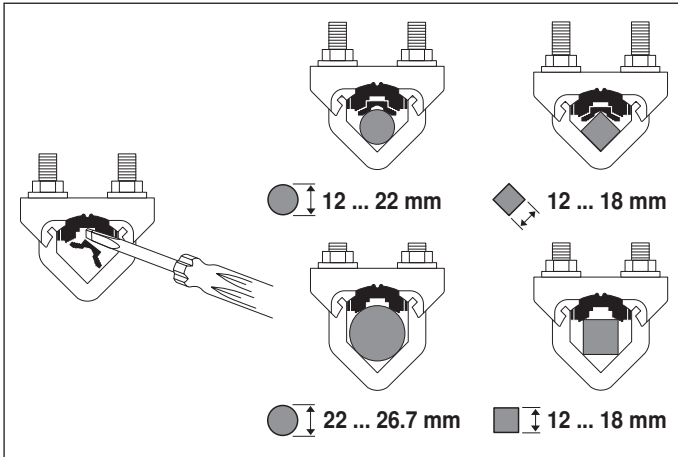
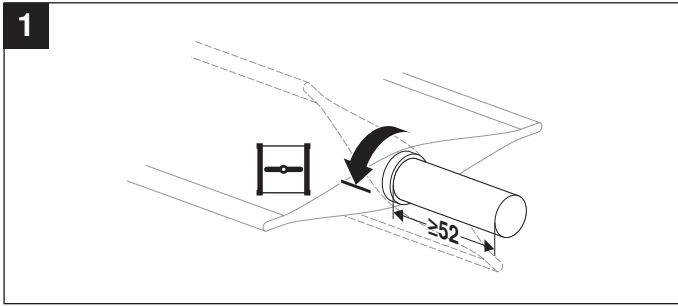
Operating controls and indicators

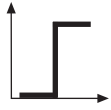


- ① **Direction of rotation switch**  
Switching over: Direction of rotation changes
- ② **Push-button and green LED display**  
Off: No voltage supply or fault  
On: In operation  
Press button: Switches on angle of rotation adaptation followed by standard operation
- ③ **Push-button and yellow LED display**  
Off: Standard operation  
On: Adaptation or synchronising process active  
Press button: No function
- ④ **Gear disengagement switch**  
Press button: Gear disengaged, motor stops, manual override possible  
Release button: Gear engaged, synchronisation starts, followed by standard operation

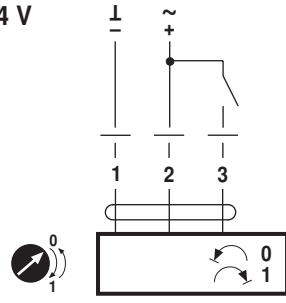
Check voltage supply connection

- a) ② Off and ③ On } Check the supply connections.
- b) ② Blinking and ③ Blinking } Possibly  $\pm$  and  $\mp$  are swapped over.

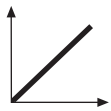




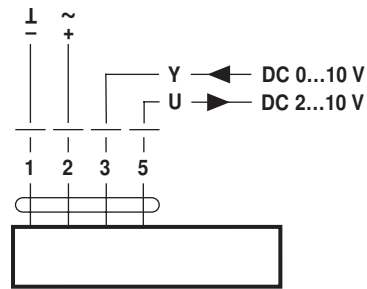
AC 24 V / DC 24 V



SMQ24A..  
SMD24R



AC 24 V / DC 24 V



SMQ24A-SR..  
SMQ24A-MF..