

Damper actuator for adjusting air dampers in ventilation and air-conditioning systems for building services installations

- For air dampers up to approx. 3.2 m²
- Torque 16 Nm
- Nominal voltage AC 100 ... 240 V
- Control: Open-close or 3-point
- Running time 20 s



Technical data

Electrical data	Nominal voltage	AC 100 ... 240 V, 50/60 Hz
	Nominal voltage range	AC 85 ... 265 V
	Power consumption	4.5 W @ nominal torque
	At rest	1 W
	For wire sizing	8 VA
	Connection	Cable 1 m, 3 x 0.75 mm ²
Functional data	Torque (nominal torque)	Min. 16 Nm @ nominal voltage
	Direction of rotation	Reversible with switch 0 ↺ resp. 1 ↻
	Manual override	Gearing latch disengaged with pushbutton, can be locked
	Angle of rotation	Max. 95°↔, can be limited at both ends with adjustable mechanical end stops
	Running time	20 s / 90°↔
	Sound power level	Max. 55 dB (A)
	Position indication	Mechanical, pluggable
Safety	Protection class	II Totally insulated <input checked="" type="checkbox"/>
	Degree of protection	IP54 NEMA 2, UL Enclosure Type 2
	EMC	CE according to 2004/108/EC CE according to 2006/95/EC
	Low voltage directive	
	Certification	Certified to IEC/EN 60730-1 and IEC/EN 60730-2-14 cULus according to UL 60730-1A and UL 60730-2-14 and CAN/CSA E60730-1:02
	Mode of operation	Type 1
	Rated impulse voltage	4 kV
	Control pollution degree	3
	Ambient temperature range	-30 ... +50 °C
	Non-operating temperature	-40 ... +80 °C
Ambient humidity range	95% r.h., non-condensating	
Maintenance	Maintenance-free	
Dimensions / Weight	Dimensions	See «Dimensions» on page 2
	Weight	Approx. 1 kg

Safety notes



- The actuator is not allowed to be used outside the specified field of application, especially in aircraft or any other form of air transport.
- Caution: Power supply voltage!
- It may only be installed by suitably trained personnel. Any legal regulations or regulations issued by authorities must be observed during installation.
- The device may only be opened at the manufacturer's site. It does not contain any parts that can be replaced or repaired by the user.
- The cable must not be removed from the device.
- When calculating the required torque, the specifications supplied by the damper manufacturers (cross section, design, installation site), and the air flow conditions must be observed.
- The device contains electrical and electronic components and is not allowed to be disposed of as household refuse. All locally valid regulations and requirements must be observed.

Product features

- Simple direct mounting** Simple direct mounting on the damper spindle with a universal spindle clamp, supplied with an anti-rotation strap to prevent the actuator from rotating.
- Manual override** Manual override with push-button possible (the gear is disengaged for as long as the button is pressed or remains locked).
- Adjustable angle of rotation** Adjustable angle of rotation with mechanical end stops.
- High functional reliability** The actuator is overload-proof, requires no limit switches and automatically stops when the end stop is reached.

Accessories

	Description	Data sheet
Electrical accessories	Auxiliary switch S..A..	T2 - S..A..
	Feedback potentiometer P..A..	T2 - P..A..
Mechanical accessories	Various accessories	T2 - Z-SMD230A

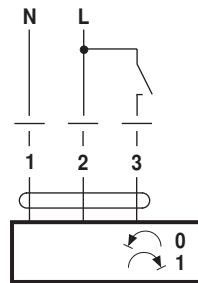
Electrical installation

Wiring diagrams

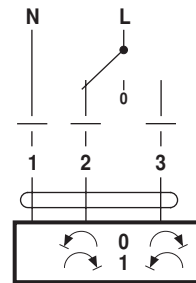
Notes

- Caution: Power supply voltage!
- Other actuators can be connected in parallel. Please note the performance data.

Open-close control



3-point control



Direction of rotation

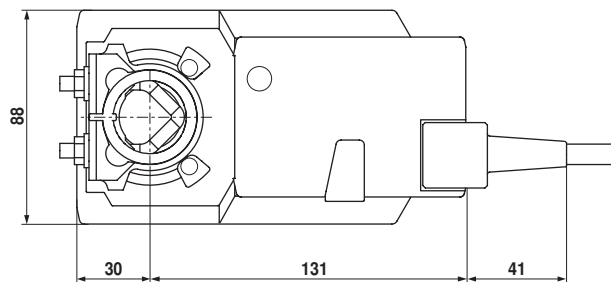
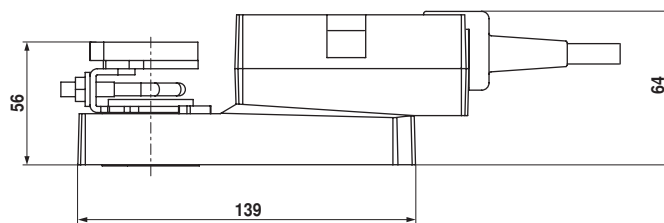


Cable colours:

- 1 = blue
- 2 = brown
- 3 = white

Dimensions [mm]

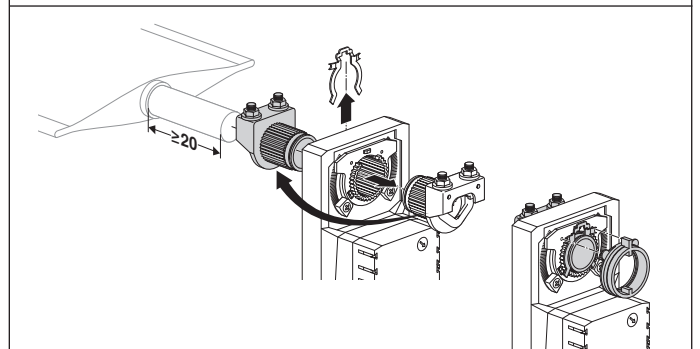
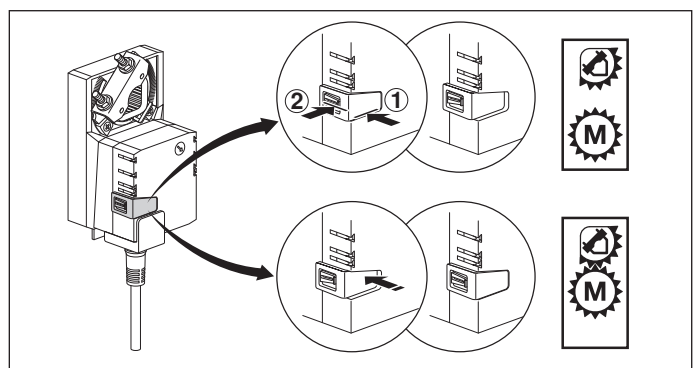
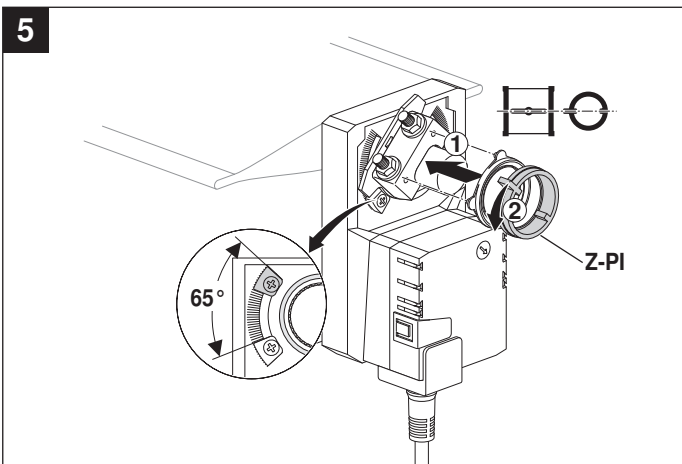
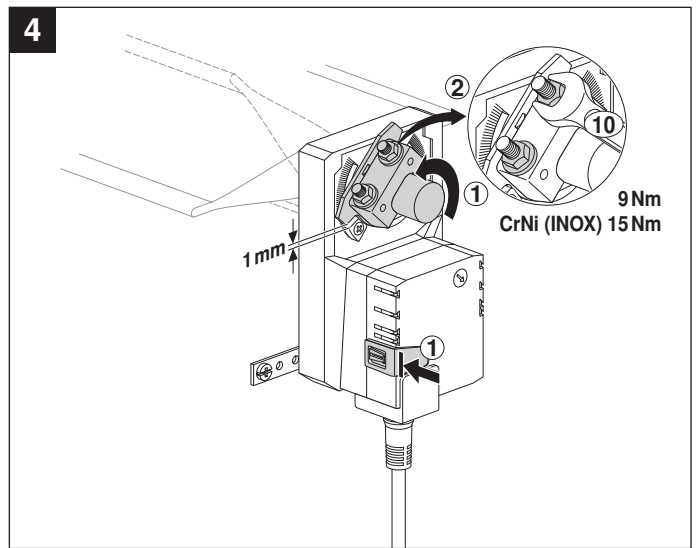
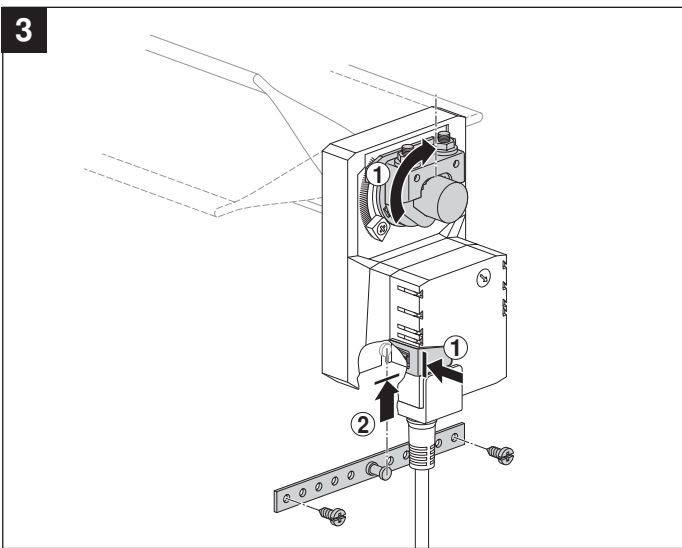
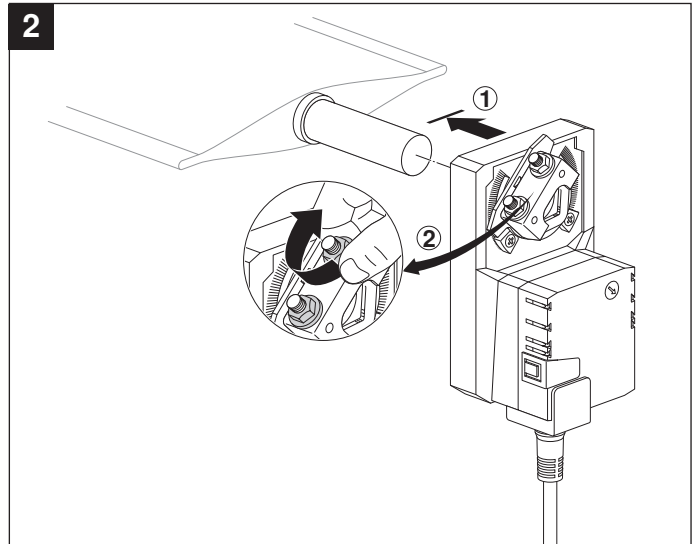
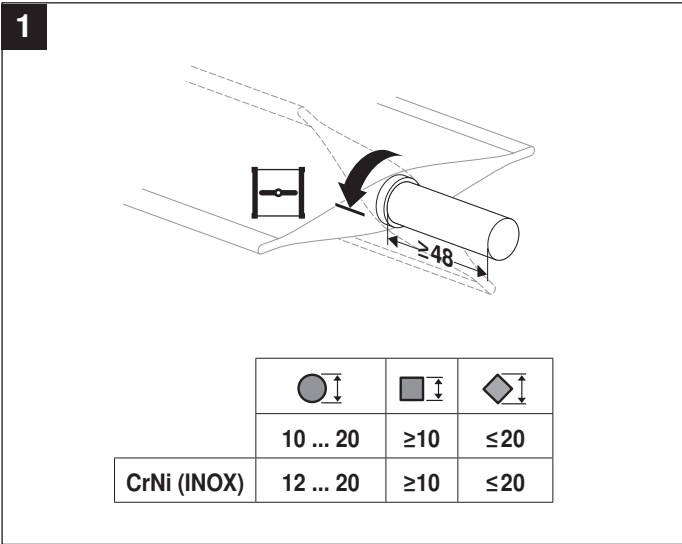
Dimensional drawings

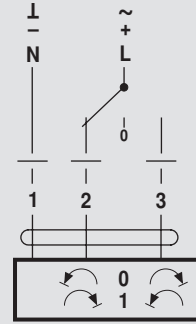
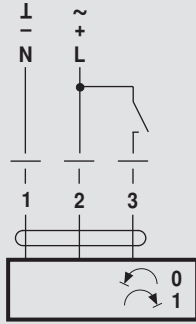


Damper spindle	Length	● I	■ I	◆ I
	≥48	10 ... 20 ¹⁾	≥10	≤20
	≥20	10 ... 20 ¹⁾	≥10	≤20

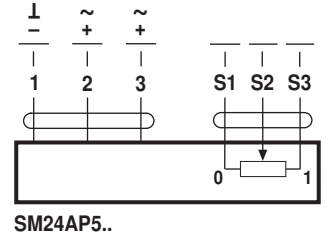
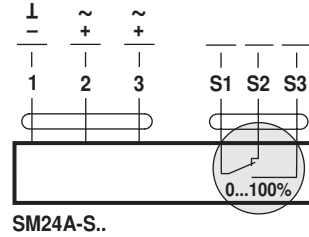
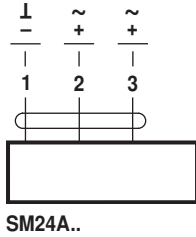
¹⁾ CrNi (INOX) 12 ... 20

70214-00003.E

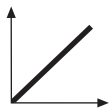
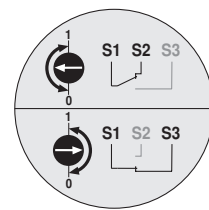
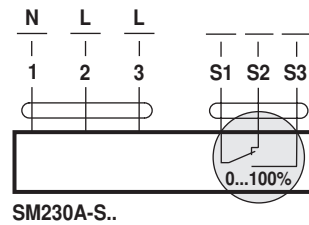
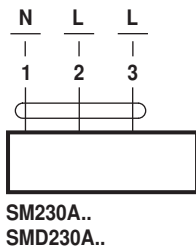




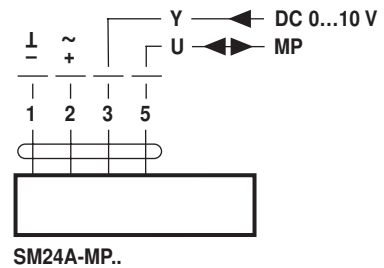
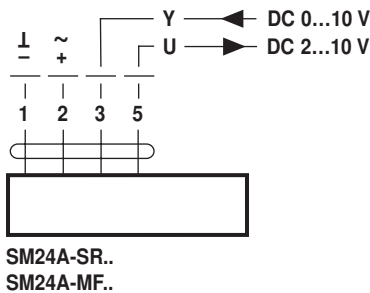
AC 24 V / DC 24 V



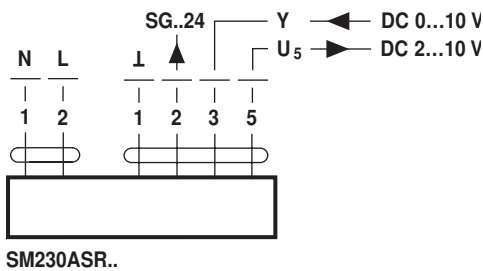
AC 100 ... 240 V



AC 24 V / DC 24 V



AC 100 ... 240 V



AC 24 V / DC 24 V
(SM24A-V / VR..)

